

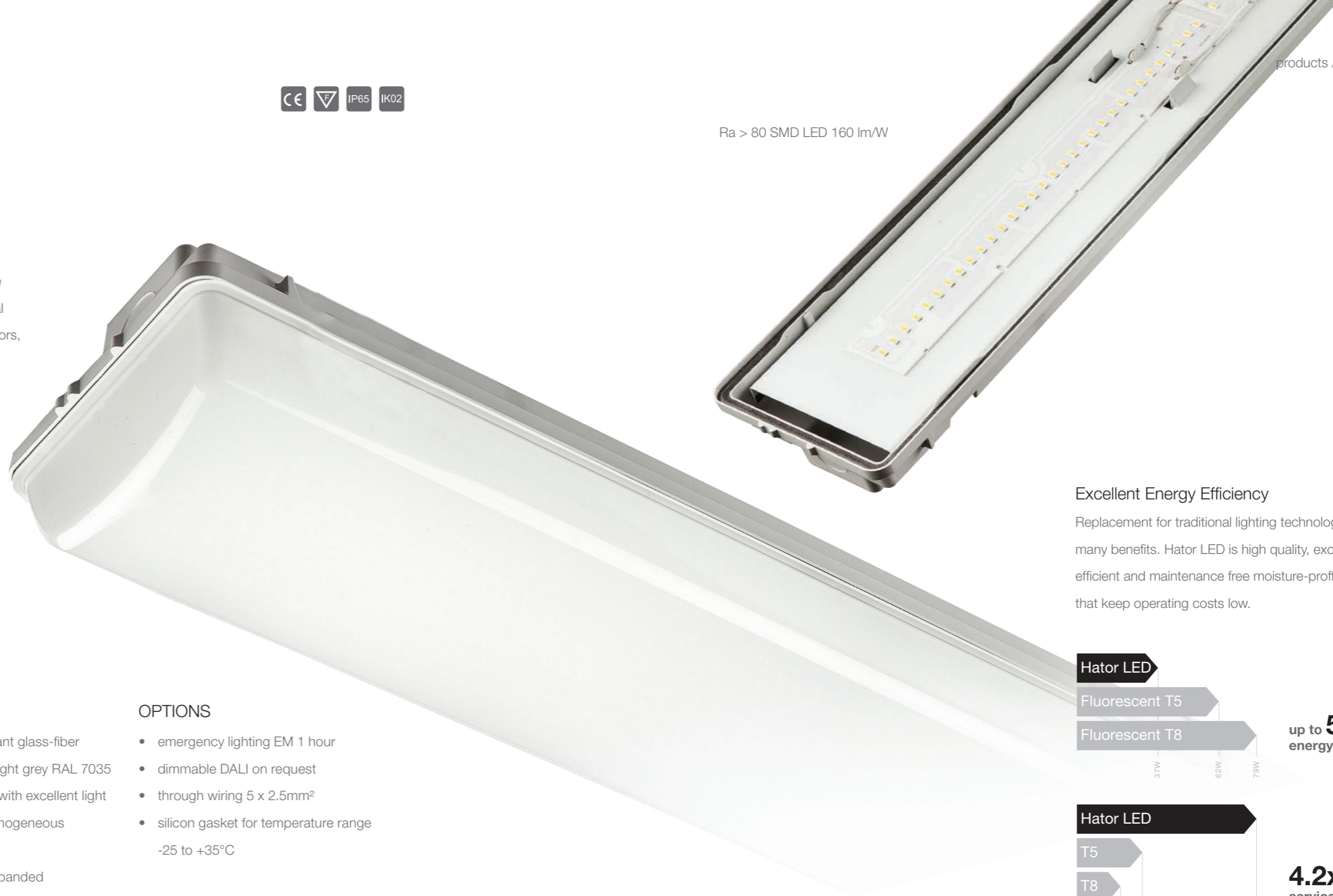
HATOR LED

Durable and highly efficient moisture-proof luminaire

HATOR LED represents a high quality, excellent energy efficient and maintenance free moisture-proof luminaire. Its robust housing makes it the best choice for many applications, such as: multi-story car parks, industrial plants, warehouses, storage and cold storage rooms, loading bays, corridors, agricultural buildings and other facilities with complex ambient conditions.



Ra > 80 SMD LED 160 lm/W



FEATURES

- LED service life 50,000 h at 85% luminous flux
- colour rendering index CRI Ra >80
- excellent luminary efficiency of up to 129 lm/W
- colour temperature 3000K, 4000K or 5000K
- temperature range -25 to +35°C
- removable LED engine

MATERIALS

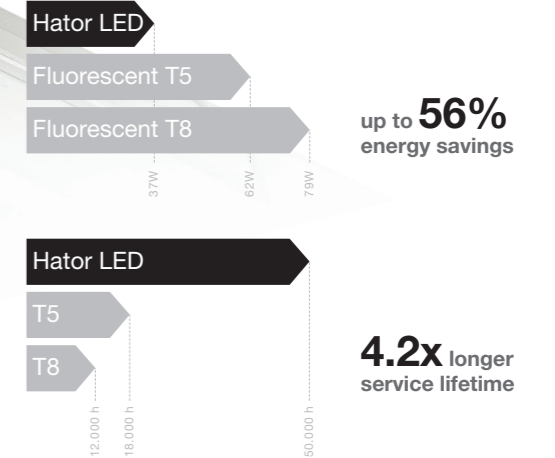
- canopy: flame retardant glass-fiber reinforced polyester light grey RAL 7035
- diffuser: opal PMMA with excellent light transmission and homogeneous light distribution
- gasket: non-aging expanded polyurethane
- gear tray: high quality sheet-steel powder coated white RAL 9003

OPTIONS

- emergency lighting EM 1 hour
- dimmable DALI on request
- through wiring 5 x 2.5mm²
- silicon gasket for temperature range -25 to +35°C

Excellent Energy Efficiency

Replacement for traditional lighting technologies brings many benefits. Hator LED is high quality, excellent energy efficient and maintenance free moisture-proof luminaire that keep operating costs low.



Installer Friendly



Quick power connection on request

IP65 Protection Guarantee



GORE® vent pressure equalization on request

Anti-vandal Stainless Steel Clips



Remote Control



UHS5 Hator
Order code: 6998000110

EBMPIR-MB-DD PIR Presence Detector

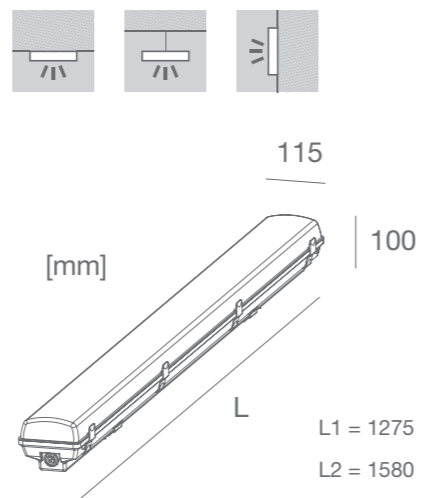


- mounting height up to 7m
- requires no additional power supply
- IP 65
- dimming functionality
- automatic switch-off delay time based on the presence
- automatic switch-on/off based on the light level
- step-down illuminance function
- adjustable maintained illuminance level
- up to 10 luminaires per sensor (DALI)
- optional IR commissioning handset
- programmable via IR handset



HATOR 1200

Order code	Description	System power (W)	Light output (lm)	Weight (kg)
HATOR High Efficiency				
HA223Y0O01	HATOR 1200 HE OP	26	3250	2,1
HA223Y0OT1	HATOR 1200 HE OP THROUGH WIRING 5x2.5 mm ²	26	3250	2,3
HA223Y3O01	HATOR 1200 HE EM 1h OP	28	3250	2,6
HA223Y3OT1	HATOR 1200 HE OP THROUGH WIRING 5x2.5 mm ² EM 1h	28	3250	2,7
HATOR High Output				
HA224Y0O01	HATOR 1200 HO OP	37	4773	2,1
HA224Y1O01	HATOR 1200 HO OP DALI	38	4773	2,1
HA224Y0OT1	HATOR 1200 HO OP THROUGH WIRING 5x2.5 mm ²	37	4773	2,3
HA224Y1OT1	HATOR 1200 HO OP THROUGH WIRING 5x2.5 mm ² DALI	38	4773	2,3
HA224Y3O01	HATOR 1200 HO EM 1h OP	39	4773	2,6
HA224Y4O01	HATOR 1200 HO EM 1h OP DALI	40	4773	2,6
HA224Y3OT1	HATOR 1200 HO OP THROUGH WIRING 5x2.5 mm ² EM 1h	39	4773	2,7
HA224Y4OT1	HATOR 1200 HO OP THROUGH WIRING 5x2.5 mm ² EM 1h DALI	40	4773	2,7
HA224Y5O01	HATOR 1200 HO OP DALI SNSR	40	4773	2,6



LED color temperature		Code Y
3000K	Warm white	3
4000K	Natural white	4
5000K	Cool white	5

HATOR 1500

LED color temperature		Code Y
3000K	Warm white	3
4000K	Natural white	4
5000K	Cool white	5

HATOR 1200 37W LED840 OP cd/klm

Order code	Description	System power (W)	Light output (lm)	Weight (kg)
HA236Y0O01	HATOR 1500 OP	49	6308	3,0
HA236Y1O01	HATOR 1500 OP DALI	50	6308	3,0
HA236Y0OT1	HATOR 1500 OP THROUGH WIRING 5x2.5 mm ²	49	6308	3,2
HA236Y1OT1	HATOR 1500 OP THROUGH WIRING 5x2.5 mm ² DALI	50	6308	3,2
HA236Y3O01	HATOR 1500 EM 1h OP	51	6308	3,5
HA236Y4O01	HATOR 1500 EM 1h OP DALI	52	6308	3,5
HA236Y3OT1	HATOR 1500 OP THROUGH WIRING 5x2.5 mm ² EM 1h	51	6308	3,6
HA236Y4OT1	HATOR 1500 OP THROUGH WIRING 5x2.5 mm ² EM 1h DALI	52	6308	3,6
HA236Y5O01	HATOR 1500 OP DALI SNSR	52	6308	3,6

Robust housing with excellent durability and easy installation is designed to meet environmental and health standards.

Hator LED impress with excellent lighting quality. Equipped with PMMA diffuser brings advantages of UV stability and chemical resistance.