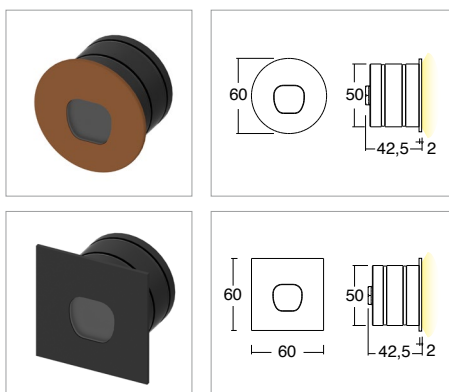


KELVIN	CRI	REAL OUTPUT	ENERGY CLASS
2700	90	~ 175	F
3000	90	~ 175	F
4000	80	~ 220	E

2006/95/CE -- 2002/95/CE -- 1907/2006/CE -- 2010/30/UE -- EN 60598-1 -- EN 60598-2-2  
 -- EN 62471 -- EN 62031



## Argor 2.1 W



Code: **3052**

SHAPE	FINISH	COLOUR	OPTICALS
Round	Anthracite ■ RAL 7016	4000 K	Asymmetric
Square	White □ RAL 9010	3000 K	Asymmetric
	Grey ■ RAL 7042	2700 K	diffused
	Black ■ RAL 9005	Red	
	Cor-ten ■ SX350F MA.SA.	Green	
		Blue	

### ACCESSORIES

30500013	Outer casing
330010000	(Vin 220/240 Vac) 700 mA - 7.7 W - IP20
330009700	(Vin 220/240 Vac) 700 mA - 10 W - IP20
330009500	(Vin 220/240 Vac) 700 mA - 14 W - IP67
330009900	(Vin 220/240 Vac) 700 mA - 30 W (min 14 W) - IP67
330007800	(Vin 220/240 Vac) 700 mA - 20 W (min 7 W)
330007200	(Vin 220/240 Vac) 700 mA - 28 W (min 2 W) - Dimmer Push, 0-10, 1-10, DALI
307500010	Neoprene cable 2x0.5
307500020	IP68 connector
307500027	NO-W system, 2 pole cable interrupting
307500044	NOW System with 24 vdc - 700 mA converter

## Description

IP66 2.1 W wall recessed spotlights. Installation with counter casing on masonry. Available with round and square flange. Aluminium flange, black anodised aluminium body. Finished by anodising or powder coating. Available in colour temperatures 2700 K - CRI 90 / 3000 K - CRI 90 / 4000 K - CRI 80, MacAdam Step 2. Asymmetric / asymmetric diffused optics. Supplied with 1 m neoprene cable 2x0.5 mm section. Service life L80 B20 at 100,000h Ta (ambient temperature) 25° C. Power supply to be ordered separately.