

CHIO

Recess walk-over spotlights

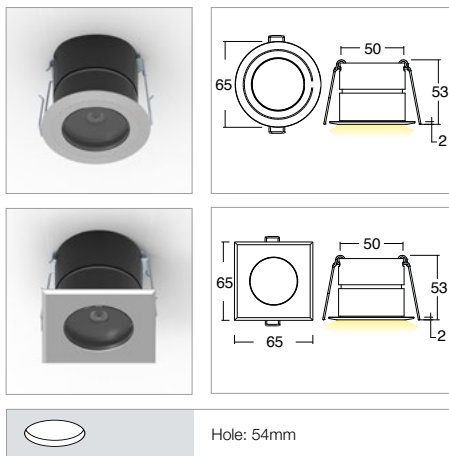


KELVIN	CRI	REAL OUTPUT	ENERGY CLASS
2700	90	~ 180	F
3000	90	~ 180	F
4000	80	~ 230	E

2006/95/CE -- 2002 /95/CE -- 1907/2006/CE -- 2010/30/UE -- EN 60598-1 -- EN 60598-2-2
 -- EN 60598 2-13 -- EN 62471 -- EN 62031



Chio 2.1 W with springs



Code: **3138**

SHAPE	FINISH	COLOUR	OPTICALS
Round	Grey	4000 K	20°
Square	Black	3000 K	30°
	Inox	2700 K	50°
		Red	120°
		Green	
		Blue	

ACCESSORI / ACCESSORIES

330010000	(Vin 220/240 Vac) 700 mA - 7.7 W - IP20
330009700	(Vin 220/240 Vac) 700 mA - 10 W - IP20
330009500	(Vin 220/240 Vac) 700 mA - 14 W - IP67
330009900	(Vin 220/240 Vac) 700 mA - 30 W (min 14 W) - IP67
330007800	(Vin 220/240 Vac) 700 mA - 20 W (min 7 W)
330007200	(Vin 220/240 Vac) 700 mA - 28 W (min 2 W) - Dimmer Push, 0-10, 1-10, DALI
307500010	Neoprene cable 2x0.5
307500020	IP68 connector
307500027	NO-W system, 2 pole cable interrupting
307500046	Satin glass option
307500021	Non dazzling system

Description

Walk-over and drive-over recessed ceiling and floor spotlights IP66, wattages 2.1 W. Installation with springs on suspended ceilings. Available with round and square flange. Flange made of aluminium or steel, metal body made of black anodised aluminium. Finish by anodising. Available in colour temperatures 2700 K - CRI 90 / 3000 K - CRI 90 / 4000 K - CRI 80, MacAdam Step 2. 20°/ 30°/ 50°/ 120° light emission optical lenses. Supplied with 1 m neoprene cable with 2x0.5 mm cross-section. Service life L80 B20 at 100.000h Ta (ambient temperature) 25° C. Versions with ballast to be ordered separately.