

CHIO

Recess walk-over spotlights

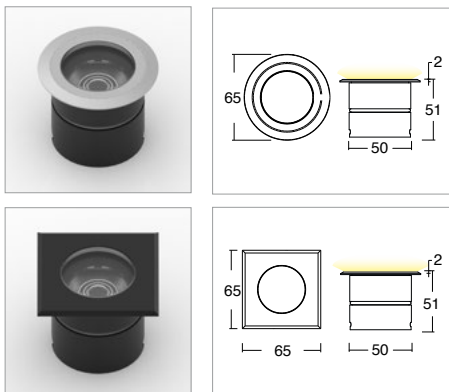


KELVIN	CRI	REAL OUTPUT	ENERGY CLASS
2700	90	~ 430	F
3000	90	~ 500	E
4000	80	~ 520	E

2006/95/CE -- 2002/95/CE -- 1907/2006/CE -- 2010/30/UE -- EN 60598-1 -- EN 60598-2-2 -- EN 62471 -- EN 62031 -- EN 60598 2-13



Chio 4.8 W with outer casing



Code: **3154**

SHAPE	FINISH	COLOUR	OPTICALS
Round	White <input type="checkbox"/> RAL 9010	4000 K	20°
Square	Grey <input type="checkbox"/> ANODIZED	3000 K	40°
	Black <input type="checkbox"/> ANODIZED	2700 K	60°
	Inox <input type="checkbox"/> AISI 316 STEEL		Diffused

ACCESSORIES

30500013	Outer casing
330002100	(Vin 220/240 Vac) 500 mA - 6 W
330002200	(Vin 220/240 Vac) 500 mA - 22 W (min 6 W)
330006800	(Vin 220/240 Vac) 500 mA - 14 W - IP67
330007200	(Vin 220/240 Vac) 500 mA - 23 W (min 4.5 W) - Dimmer Push, 0-10, 1-10, DALI
330009800	(Vin 220/240 Vac) 500 mA - 28 W (min 14 W) - IP67
307500010	Neoprene cable 2x0.5
307500020	IP68 connector
307500021	Non dazzling system
307500031	Non dazzling system with half black and half clear glass
307500032	Non dazzling system with half black and half sanded glass
307500027	NO-W system, 2 pole cable interrupting

Description

Walk-over and drive-over recessed ceiling and floor spotlights IP66, wattages 4.8 W. Installation with housing box on masonry. Available with round and square flange. Flange made of aluminium or steel, metal body made of black anodised aluminium. Finish by anodising. Available in colour temperatures 2700 K - CRI 90 / 3000 K - CRI 90 / 4000 K - CRI 80, MacAdam Step 2. 20° / 40° / 60° diffuse light emission optical lenses. Supplied with 1 m neoprene cable with 2x0.5 mm cross-section. Service life L80 B20 at 100.000h Ta (ambient temperature) 25° C. Versions with ballast to be ordered separately available.