

NICEA

Recess walk-over spotlights

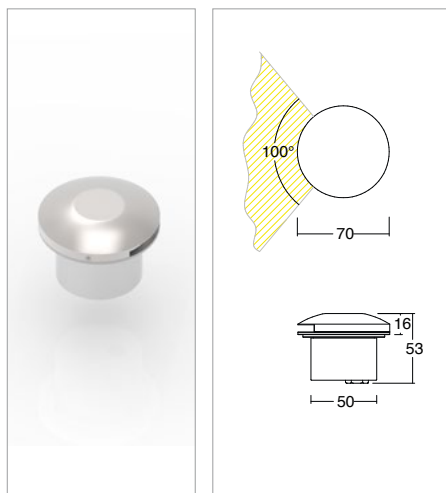


KELVIN	CRI	REAL OUTPUT	ENERGY CLASS
2700	90	~ 150	G
3000	90	~ 170	G
4000	80	~ 175	G

2006/95/CE -- 2002 /95/CE -- 1907/2006/CE -- 2010/30/UE -- EN 60598-1 -- EN 60598-2-2
 -- EN 60598 2-13 -- EN 62471 -- EN 62031



Nicea 3.2 W



Code: **3237**

SHAPE	FINISH	COLOUR	OPTICALS
Round	Grey <input type="checkbox"/> ANODIZED Black <input type="checkbox"/> ANODIZED Inox <input type="checkbox"/> AISI 316 STEEL	4000 K 3000 K 2700 K	Side

ACCESSORIES

30500004	Outer casing
307500010	Neoprene cable 2x0.5
330001900	(Vin 220/240 Vac) 350 mA - 5.6 W
330002000	(Vin 220/240 Vac) 350 mA - 16 W (min 4 W)
330006700	(Vin 220/240 Vac) 350 mA - 14 W - IP67
330007200	(Vin 220/240 Vac) 350 mA - 16 W (min 3 W) - Dimmer Push, 0-10, 1-10, DALI

Description

IP67 drive-on recessed spotlights, wattages 3.2 W per emission. Installation with counter casing on masonry. Available with round aluminium or steel flange, anodised aluminium body. Finish obtained by anodising. Available in colour temperatures 2700 K - CRI 90 / 3000 K - CRI 90 / 4000 K - CRI 80, MacAdam Step 2. All-round optics (lateral emission) with 100° emission. Supplied with 1 m of 2x0.5 mm section neoprene cable. Durability L80 B20 at 100.000h Ta (ambient temperature) 25° C. Version with ballast to be ordered separately available.