

# KARAH L.E.

Wall lamp

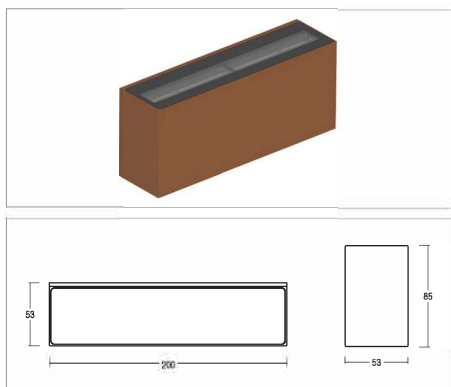


KELVIN	CRI	REAL OUTPUT	ENERGY CLASS
2700	90	~ 305/305	G
3000	90	~ 320/320	G
4000	80	~ 415/415	F

2006/95/CE -- 2002 /95/CE -- 1907/2006/CE -- 2010/30/UE -- EN 60598-1 -- EN 60598-2-1 -- EN 62471 -- EN 62031



## Karah L.E. D 4.8 W



**W**  
4,8

Code: **3407**

SHAPE	FINISH	COLOUR	OPTICALS
Square	<b>20</b> Anthracite ■ RAL 7016 White □ RAL 9010 Grey ■ RAL 7042 Black ■ RAL 9005 Cor-ten ■ SX350F MA.SA.	<b>2</b> 4000 K <b>3</b> 3000 K <b>5</b> 2700 K <b>6</b> <b>8</b>	<b>2</b> Diffused <b>3</b> <b>W</b>

### ACCESSORIES

<b>330003300</b>	(Vin 220/240 Vac) 24 Vdc - 20 W
<b>330003400</b>	(Vin 220/240 Vac) 24 Vdc - 60 W
<b>330003500</b>	(Vin 220/240 Vac) 24 Vdc - 35 W
<b>330003100</b>	(Vin 220/240 Vac) 24 Vdc - 100 W
<b>330007100</b>	(Vin 220/240 Vac) 24 Vdc - 150 W
<b>330006600</b>	(Vin 220/240 Vac) 24 Vdc - 60 W - Dimmer Push
<b>330008101</b>	(Vin 24 Vdc) - 240 W - Dimmer Push, 0-10, 1-10
<b>330008102</b>	(Vin 24 Vdc) - 240 W - Dimmer Push, 0-10, 1-10, DALI

## Description

Outdoor wall lamp IP65 direct light with wattage 4.8 W per emission. Installation with bracket without visible screws. Rectangular shapes. Aluminium body, powder-coated finish. Available in colour temperatures 2700 K - GRI 90 / 3000 K - GRI 90 / 4000 K - GRI 80, MacAdam Step 2. Optics diffuse light emisskm. Servke file L80 B20 at 100.000h Ta (amb.ant temperature) 25° C. Power supply must be ordered separately.