

KARAH L.

Wall lamp

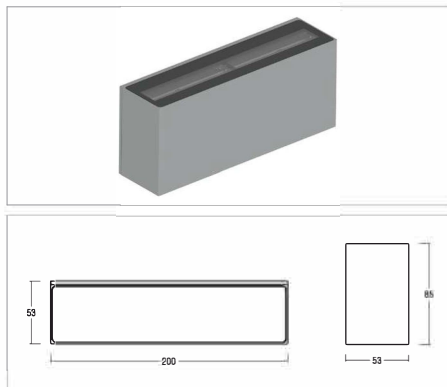


| KELVIN | CRI | REAL OUTPUT | ENERGY CLASS |
|--------|-----|-------------|--------------|
| 2700 | 90 | ~ 600/600 | F |
| 3000 | 90 | ~ 600/600 | F |
| 4000 | 80 | ~ 750/750 | E |

2006/95/CE -- 2002 /95/CE -- 1907/2006/CE -- 2010/30/UE -- EN 60598-1 -- EN 60598-2-1 -- EN 62471 -- EN 62031



Karah L. D 6 W



W
6

Code: **3420**

| SHAPE | FINISH | COLOUR | OPTICALS |
|--------|---|----------------------------|-------------------------|
| Square | Anthracite ■ RAL 7016 White □ RAL 9010 Grey ■ RAL 7042 Black ■ RAL 9005 Cor-ten ■ SX350F MA.SA. | 4000 K 3000 K 2700 K | Wall washer Diffused |

ACCESSORIES

| | |
|------------------|---|
| 330002100 | (Vin 220/240 Vac) 500 mA - 6 W |
| 330008800 | (Vin 220/240 Vac) 500 mA - 10 W |
| 330002200 | (Vin 220/240 Vac) 500 mA - 22 W (min 6 W) |
| 330006800 | (Vin 220/240 Vac) 500 mA - 14 W - IP67 |
| 330007200 | (Vin 220/240 Vac) 500 mA - 23 W (min 4.5 W) - Dimmer Push, 0-10, 1-10, DALI |
| 330009800 | (Vin 220/240 Vac) 500 mA - 28 W (min 14 W) - IP67 |

Description

Outdoor wall lamp IP65 direct light with wattage 6 W per emission. Installation with bracket without visible screws. Rectangular shapes. Aluminium body, powder-coated finish. Available in colour temperatures 2700 K- GRI 90 / 3000 K- GRI 90 / 4000 K- GRI 80, MacAdam Step 2. Optics wall washer / Diffuse light emission. Service life L80 B20 at 100.000h Ta (ambient temperature) 25° C. Power supply must be ordered separately.