

KOP 45

Garden bollards

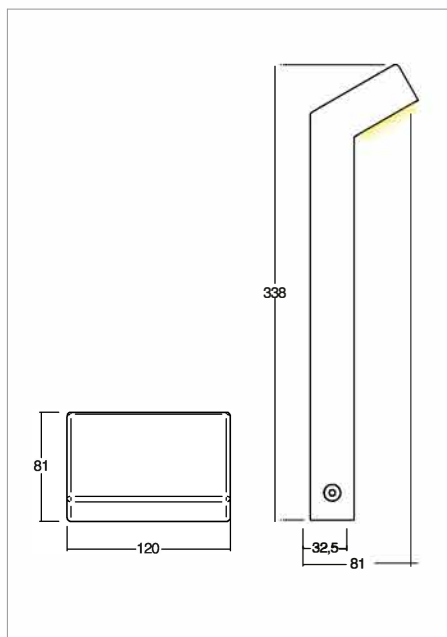


KELVIN	CRI	REAL OUTPUT	ENERGY CLASS
2700	90	~ 240	F
3000	90	~ 240	F
4000	80	~ 300	F

2006/95/CE -- 2002 /95/CE -- 1907/2006/CE -- 2010/30/UE -- EN 60598-1 -- EN 60598-2-1 -- EN 62471 -- EN 62031



Kop 45



Code: **3422**

SHAPE	FINISH	COLOUR	OPTICALS
Square	20 Antracite ■ RAL 7016 Grey ■ RAL 7042 Black ■ RAL 9005 Inox ■ AISI 316 STEEL Cor-ten ■ SX350F MA.SA.	2 4000 K 5 3000 K 6 2700 K 7 8	2 3 W 0

ACCESSORIES

307500001	Steel picket
330002100	(Vin 220/240 Vac) 500 mA - 6 W
330008800	(Vin 220/240 Vac) 500 mA - 10 W
330002200	(Vin 220/240 Vac) 500 mA - 22 W (min 6 W)
330006800	(Vin 220/240 Vac) 500 mA - 14 W - IP67
330007200	(Vin 220/240 Vac) 500 mA - 23 W (min 4.5 W) - Dimmer Push, 0-10, 1-10, DALI
330009800	(Vin 220/240 Vac) 500 mA - 28 W (min 14 W) - IP67

Description

IP65 outdoor bollards for gardens with wattage 3 W, downward emission. Ground installation with steel spike. Steel body, powder-coated finish. Available in colour temperatures 2700 K - CRI 90 / 3000 K - CRI 90 / 4000 K - CRI 80, MacAdam Step 2. Diffused light emission. Supplied with 3-pin IP68 connector. Service life L80 B20 at 100.000h Ta (ambient temperature) 25° C. Power supply must be ordered separately.